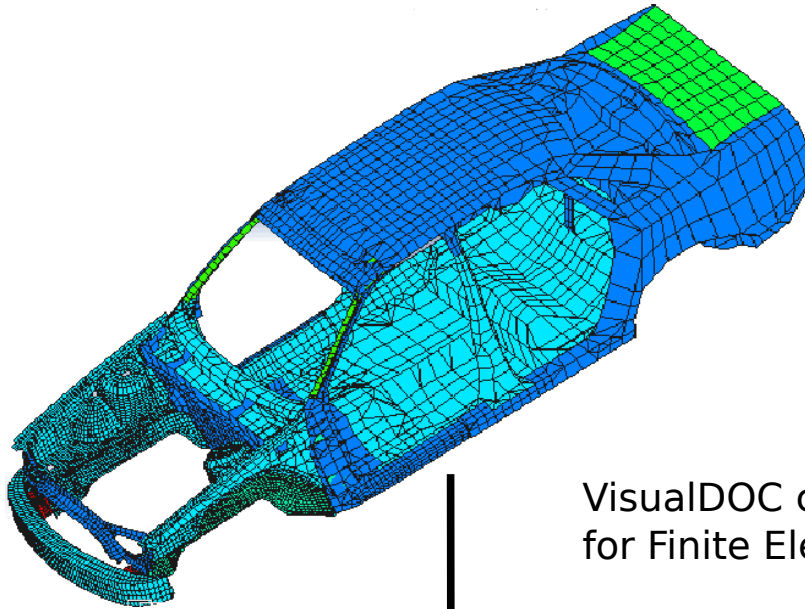


VisualDOC + Genesis

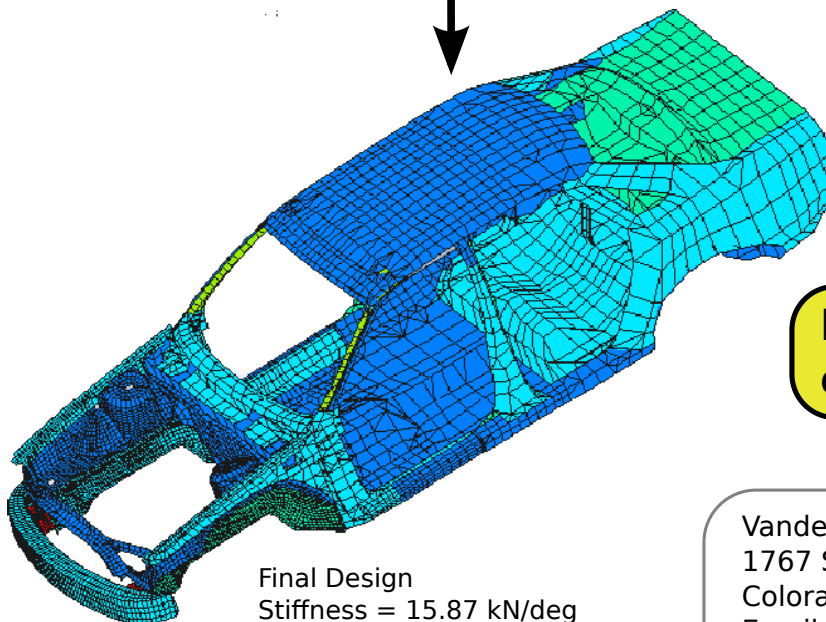
Stiffness Maximization of a Car Body

VisualDOC maximizes torsional stiffness subject to mass constraint



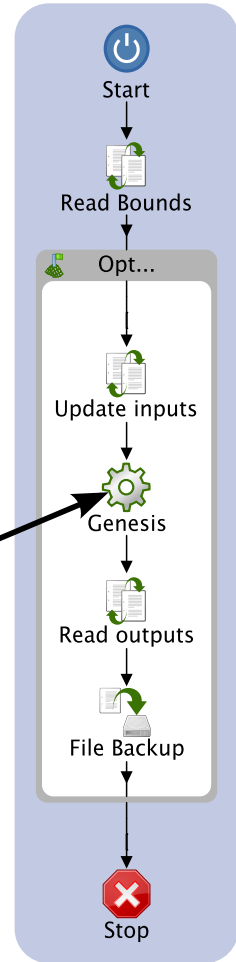
Initial Design
Stiffness = 12.35 kN/deg

Optimization
with VisualDOC



Final Design
Stiffness = 15.87 kN/deg

VisualDOC can call Genesis
for Finite Element Analysis



VisualDOC Flowchart

Most FEA software can be
easily coupled to VisualDOC

Vanderplaats Research & Development, Inc.
1767 S. 8th St.
Colorado Springs, CO 80905
Email: info@vrand.com
Phone: (719) 473-4611
Web: <http://www.vrand.com>

